

EUROLIVE S1020/S1220/S1220F/S1520/S1530/S1800S

User manual

en

Version 1.0 December 2006



www.behringer.com



IMPORTANT SAFETY INSTRUCTIONS

- 1) Read these instructions.
- 2) Keep these instructions.
- 3) Heed all warnings.
- 4) Follow all instructions.
- 5) Do not use this apparatus near water.
- 6) Clean only with a dry cloth.
- 7) Be sure to mount your speakers on a solid, stable and level base or stand. Vibrating floors do not provide reliable support for speaker enclosures or stacks.
- 8) Do not install near any heat sources such as radiators, heat registers, stoves, or other apparatus (including amplifiers) that produce heat.
- 9) Only use attachments/accessories specified by the manufacturer.
- 10) Use only with the cart, stand, tripod, bracket, or table specified by the manufacturer, or sold with the apparatus. When a cart is used, use caution when moving the cart/apparatus combination to avoid injury from tip-over.



- 11) Refer all servicing to qualified service personnel. Servicing is required when the unit has been damaged in any way, liquid has been spilled or objects have fallen into the device, the unit has been exposed to rain or moisture, does not operate normally, or has been dropped.
- 12) Do not block any ventilation openings. Install in accordance with the manufacturer's instructions.

WARNING
THIS EQUIPMENT IS CAPABLE OF DELIVERING SOUND PRESSURE LEVELS IN EXCESS OF 90 dB, WHICH MAY CAUSE PERMANENT HEARING DAMAGE.



en

FOREWORD



Dear Customer,

Welcome to the team of BEHRINGER users, and thank you very much for expressing your confidence in us by purchasing these PA loudspeakers.

Writing this foreword for you gives me great pleasure, because it represents the culmination of many months of hard work delivered by our engineering team to achieve a very ambitious goal: to develop an outstanding PA system that offers a maximum in flexibility and

performance through its impressive sound character. The task of designing our new S Series certainly meant a great deal of responsibility, which we assumed by focusing on you, the discerning user and musician. Meeting your expectations also meant a lot of work and night shifts. But it was fun, too. Developing a product usually brings a lot of people together, and what a great feeling it is when all who participated in such a project can be proud of what they've achieved.

It is our philosophy to share our enjoyment with you, because you are the most important member of the BEHRINGER team. With your highly competent suggestions for new products you've made a significant contribution to shaping our company and making it successful. In return, we guarantee you uncompromising quality as well as excellent technical and audio properties at an extremely reasonable price. All of this will enable you to give free rein to your creativity without being hampered by budget constraints.

We are often asked how we manage to produce such high-quality devices at such unbelievably low prices. The answer is quite simple: it's you, our customers! Many satisfied customers mean large sales volumes enabling us to get better purchasing terms for components, etc. Isn't it only fair to pass this benefit on to you? Because we know that your success is our success too!

I would like to thank all of you who have made the S Series possible. You have all made your own personal contributions, from the developers and the many other employees at this company, to you, the BEHRINGER user.

My friends, it's been worth the effort!

Thank you very much,

Uli Behringer

TABLE OF CONTENTS

1. INTRODUCTION 4
 1.1 Before you get started 4
 1.1.1 Shipment 4
 1.1.3 Online registration 4

2. CONNECTIONS 4

3. POWER AMP RATING 4


4. WIRING 5
 4.1 Full-range stereo operation 5
 4.2 Two-way stereo operation with subwoofers 5

5. SPECIFICATIONS 6

6. WARRANTY 7



ATTENTION!

 **This loudspeaker is capable of producing extreme volumes. Please bear in mind that high sound pressures do not only temporarily damage your hearing, but can also cause permanent damage. Always make sure to select an appropriate volume.**

1. INTRODUCTION

By purchasing a BEHRINGER S Series loudspeaker, you have obtained an outstanding PA loudspeaker system. Now, you own (at least) one component of an expandable system that reproduces your music with a perfectly balanced sound. Thanks to its well thought-out features, the S Series is the ideal PA loudspeaker system: it is equally well-suited for both small gigs and larger stages. We have brought it to life in order to offer you a complete selection of loudspeaker choices. In doing so, we have left open all the options for expanding your PA system. All loudspeakers feature output connectors, letting you flexibly expand your setup whenever you need to.

The following instructions are intended to familiarize you with the specialized terminology used throughout this user manual in order for you to master all the functions. After having thoroughly read the user manual, store it in a safe place for future reference.

1.1 Before you get started

1.1.1 Shipment

Your loudspeaker was carefully packed at the assembly plant to assure secure transport. Should the condition of the cardboard box suggest that damage may have taken place, please inspect the unit immediately and look for physical indications of damage.

Damaged units should NEVER be sent directly to us. Please inform the dealer from whom you acquired the unit immediately as well as the transportation company from which you took delivery of the unit. Otherwise, all claims for replacement/repair may be rendered invalid.

Please always use the original packaging to avoid damage due to storage or shipping.

Never let unsupervised children play with the loudspeaker or their packaging.

Please dispose of all packaging materials in an environmentally friendly fashion.

INFORMATION

The sound quality may diminish within the range of powerful broadcasting stations and high-frequency sources. Increase the distance between the transmitter and the device and use shielded cables for all connections.

1.1.3 Online registration

Please remember to register your new BEHRINGER equipment right after your purchase by visiting www.behringer.com (alternatively www.behringer.de) and read the terms and conditions of our warranty carefully.

Should your BEHRINGER product malfunction, our goal is to have it repaired as quickly as possible. To arrange for warranty service, please contact the retailer from whom the equipment was purchased. Should your BEHRINGER dealer not be located in your vicinity, you may directly contact one of our subsidiaries. Corresponding contact information is included in the original equipment packaging (Global Contact Information/European Contact Information). Should your country not be listed, please contact the distributor nearest you. A list of distributors can be found in the support area of our website (www.behringer.com/support).

Registering your purchase and equipment helps us process your repair claims quicker and more efficiently.

Thank you for your cooperation!

2. CONNECTIONS

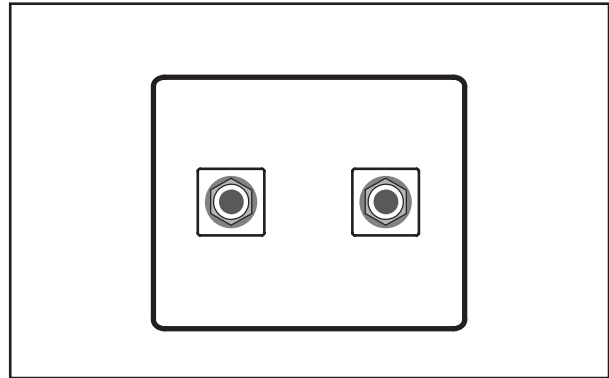


Fig. 2.1: Connection panel

Two 1/4" loudspeaker inputs are wired in parallel. You can optionally connect one of the connectors to the output on your power amp, and tap into the signal on the second connector in order to feed this signal into an additional loudspeaker.

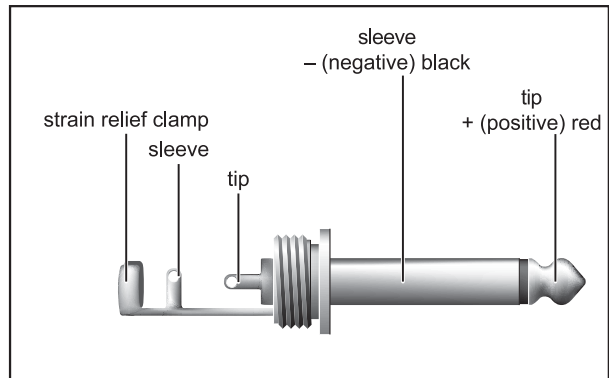


Fig. 2.2: 1/4" TS loudspeaker connector

ATTENTION: Never connect more than one power amp output to the loudspeaker system. This may permanently damage your setup.

3. POWER AMP RATING

The power rating of your amplifier should be roughly twice the continuous speaker load capacity. A speaker rated at 200 Watts continuous power can easily be powered by an amp rated at 400 Watts output power. An optimal addition to your speaker system would be the BEHRINGER EUROPOWER amplifiers.

ATTENTION!

When several loudspeakers are wired in parallel the overall impedance Z_{total} to be handled by the power amp can be calculated, as shown below, from the individual impedance values of the connected speakers:

$$Z_{total} = \frac{1}{1/Z_1 + 1/Z_2 + \dots}$$

Your amplifier may be damaged if the actual impedance drops below the minimum impedance specified for your amplifier. Please make sure that the calculated total impedance Z_{total} is not smaller specified.

4. WIRING

4.1 Full-range stereo operation

This application is for the full-range loudspeakers **S1020**, **S1220**, **S1220F**, **S1520** and **S1530**.

In the following example, the main output signal of a mixing console is connected to a power amplifier. Both the outputs and inputs are stereo. A full-range loudspeaker is connected to each amp output, and these loudspeakers reproduce the entire frequency range (full range).

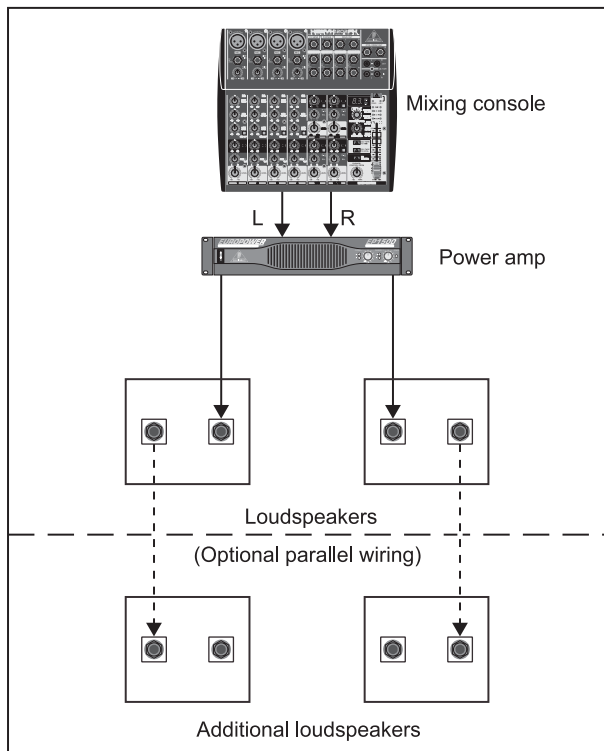


Fig. 4.1: Full-range stereo operation

4.2 Two-way stereo operation with subwoofers

This application is for the subwoofer **S1800S** in combination with the full-range speakers **S1020**, **S1220**, **S1520** and **S1530**.

Using an external (active) crossover, the main output signal of a mixing console is divided into two signals. One signal covers the lower frequency range and the other signal covers the mid-to-high-frequency range. The recommended crossover frequency is 350 Hz. Then, the mid-high frequency signal is connected to a stereo power amplifier. A loudspeaker is connected to each of the amplifier's outputs. The low-frequency signal is connected to an additional power amplifier, which powers the subwoofers.

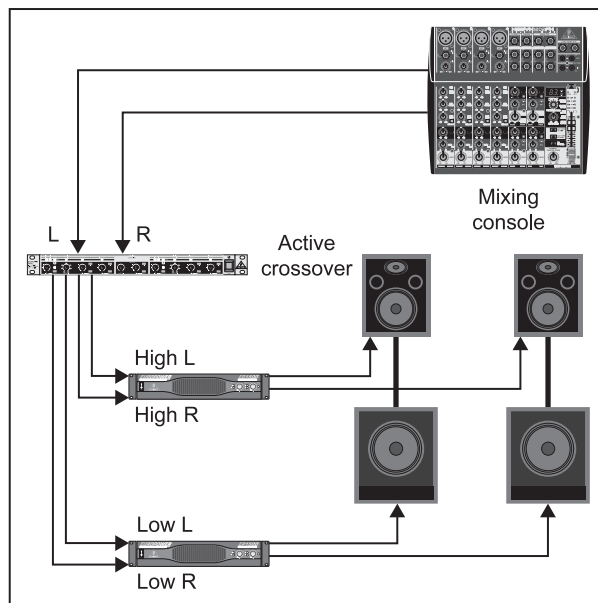


Fig. 4.2: Two-way stereo operation with subwoofers

5. SPECIFICATIONS

	S1020	S1220	S1220F	S1520	S1530	S1800S
SYSTEM DATA						
Continuous Power (IEC268-5)	60 W	70 W	70 W	90 W	100 W	175 W
Peak Power	240 W	280 W		360 W	400 W	700 W
Type	2-way full-range speaker				3-way full-range speaker	subwoofer
Frequency response	60 Hz – 20 kHz	50 Hz – 20 kHz			45 Hz – 400 Hz	
Impedance	8 Ohm					4 Ohm
Sound pressure level	98 dB (Full Space, 1 W @ 1 m)					98 dB (1 W @ 1 m)
Dispersion	90° x 40°					-
Crossover frequency	3.5 kHz				1.5 kHz 3.5 kHz	- (350 Hz recommended)
Rigging/fittings	- ergonomically shaped handles - integral tripod and stand adapter	- ergonomically shaped handle	- ergonomically shaped handles - integral tripod and stand adapter	- ergonomically shaped handles - integral tripod and stand adapter		- ergonomically shaped handles - pole socket
COMPONENTS						
HF driver	Dual electro-dynamic drivers					-
Mid driver	-	-	-	-	6.5" (167 mm)	-
Woofer	10" (259 mm)	12" (307 mm)		15" (385 mm)	15" (385 mm)	18" (460 mm)
DIMENSIONS/WEIGHT						
Width	12.2 / 6.7" (311 / 170 mm)	16.9" / 10.4" (428 / 264 mm)	16.9" (428 mm)	18.2" / 11.4" (463 / 289 mm)	20.6 / 12.9" (523 / 327 mm)	21.3" (541 mm)
Height	19.3" (490 mm)	21.8" (554 mm)	21.7" (550 mm)	24.6" (624 mm)	28.7" (729 mm)	28.9" (735 mm)
Depth	11.1" (282 mm)	13.2" (335 mm)	14.6" / 4.5" (371 / 115 mm)	13.7" (347 mm)	15.5" (393 mm)	15.8" (400 mm)
Weight	19.8 lbs (9 kg)	29.3 lbs (13.3 kg)	28.7 lbs (13 kg)	38.8 lbs (17.6 kg)	52.9 lbs (24 kg)	68.3 lbs (31 kg)
Shipping weight	22.5 lbs (10.2 kg)	33.1 lbs (15 kg)	33.1 lbs (15 kg)	41.9 lbs (19 kg)	56.2 lbs (25.5 kg)	72.8 lbs (33 kg)

BEHRINGER is constantly striving to maintain the highest professional standards. As a result of these efforts, modifications may be made from time to time to existing products without prior notice. Specifications and appearance may differ from those listed or illustrated.

6. WARRANTY

§ 1 OTHER WARRANTY RIGHTS AND NATIONAL LAW

1. This warranty does not exclude or limit the buyer's statutory rights provided by national law, in particular, any such rights against the seller that arise from a legally effective purchase contract.
2. The warranty regulations mentioned herein are applicable unless they constitute an infringement of national warranty law.

§ 2 ONLINE REGISTRATION

Please do remember to register your new BEHRINGER equipment right after your purchase by visiting www.behringer.com (alternatively www.behringer.de) and kindly read the terms and conditions of our warranty carefully.

Registering your purchase and equipment with us helps us process your repair claims quicker and more efficiently.

Thank you for your cooperation!

§ 3 WARRANTY

1. BEHRINGER (BEHRINGER International GmbH including all BEHRINGER subsidiaries, except BEHRINGER Japan) warrants the mechanical and electronic components of this product to be free of defects in material and workmanship for a period of one (1) year* from the original date of purchase, in accordance with the warranty regulations described below. If the product shows any defects within the specified warranty period that are not excluded from this warranty as described under § 5, BEHRINGER shall, at its discretion, either replace or repair the product using suitable new or reconditioned parts. In the case that other parts are used which constitute an improvement, BEHRINGER may, at its discretion, charge the customer for the additional cost of these parts.
2. If the warranty claim proves to be justified, the product will be returned to the user freight prepaid.
3. Warranty claims other than those indicated above are expressly excluded.

§ 4 RETURN AUTHORIZATION NUMBER

1. To obtain warranty service, the buyer (or his authorized dealer) must call BEHRINGER during normal business hours **BEFORE** returning the product. All inquiries must be accompanied by a description of the problem. BEHRINGER will then issue a return authorization number.
2. Subsequently, the product must be returned in its original shipping carton, together with the return authorization number to the address indicated by BEHRINGER.
3. Shipments without freight prepaid will not be accepted.

§ 5 WARRANTY REGULATIONS

1. Warranty services will be furnished only if the product is accompanied by a copy of the original retail dealer's invoice. Any product deemed eligible for repair or replacement under the terms of this warranty will be repaired or replaced.

2. If the product needs to be modified or adapted in order to comply with applicable technical or safety standards on a national or local level, in any country which is not the country for which the product was originally developed and manufactured, this modification/adaptation shall not be considered a defect in materials or workmanship. The warranty does not cover any such modification/adaptation, irrespective of whether it was carried out properly or not. Under the terms of this warranty, BEHRINGER shall not be held responsible for any cost resulting from such a modification/adaptation.

3. Free inspections and maintenance/repair work are expressly excluded from this warranty, in particular, if caused by improper handling of the product by the user. This also applies to defects caused by normal wear and tear, in particular, of faders, crossfaders, potentiometers, keys/buttons, tubes, guitar strings, illuminants and similar parts.

4. Damage/defects caused by the following conditions are not covered by this warranty:

- ▲ improper handling, neglect or failure to operate the unit in compliance with the instructions given in BEHRINGER user or service manuals.
- ▲ connection or operation of the unit in any way that does not comply with the technical or safety regulations applicable in the country where the product is used.
- ▲ damage/defects caused by force majeure or any other condition that is beyond the control of BEHRINGER.

5. Any repair or opening of the unit carried out by unauthorized personnel (user included) will void the warranty.

6. If an inspection of the product by BEHRINGER shows that the defect in question is not covered by the warranty, the inspection costs are payable by the customer.

7. Products which do not meet the terms of this warranty will be repaired exclusively at the buyer's expense. BEHRINGER will inform the buyer of any such circumstance. If the buyer fails to submit a written repair order within 6 weeks after notification, BEHRINGER will return the unit C.O.D. with a separate invoice for freight and packing. Such costs will also be invoiced separately when the buyer has sent in a written repair order.

§ 6 WARRANTY TRANSFERABILITY

This warranty is extended exclusively to the original buyer (customer of retail dealer) and is not transferable to anyone who may subsequently purchase this product. No other person (retail dealer, etc.) shall be entitled to give any warranty promise on behalf of BEHRINGER.

§ 7 CLAIM FOR DAMAGES

Failure of BEHRINGER to provide proper warranty service shall not entitle the buyer to claim (consequential) damages. In no event shall the liability of BEHRINGER exceed the invoiced value of the product.

* Customers in the European Union please contact BEHRINGER Germany Support for further details.

Technical specifications and appearance subject to change without notice. The information contained herein is correct at the time of printing. BEHRINGER accepts no liability for any loss which may be suffered by any person who relies either wholly or in part upon any description, photograph or statement contained herein. Colors and specifications may vary slightly from product. Products are sold through our authorized dealers only. Distributors and dealers are not agents of BEHRINGER and have absolutely no authority to bind BEHRINGER by any express or implied undertaking or representation. No part of this manual may be reproduced or transmitted in any form or by any means, electronic or mechanical, including photocopying and recording of any kind, for any purpose, without the express written permission of BEHRINGER International GmbH.

ALL RIGHTS RESERVED. © 2006 BEHRINGER International GmbH,
Hanns-Martin-Schleyer-Str. 36-38, 47877 Willich-Münchheide II, Germany.
Tel. +49 2154 9206 0, Fax +49 2154 9206 4903